

# ENGINEERED COUPLING SOLUTIONS

FOR POWER TRANSMISSION



## DESIGN BENEFITS

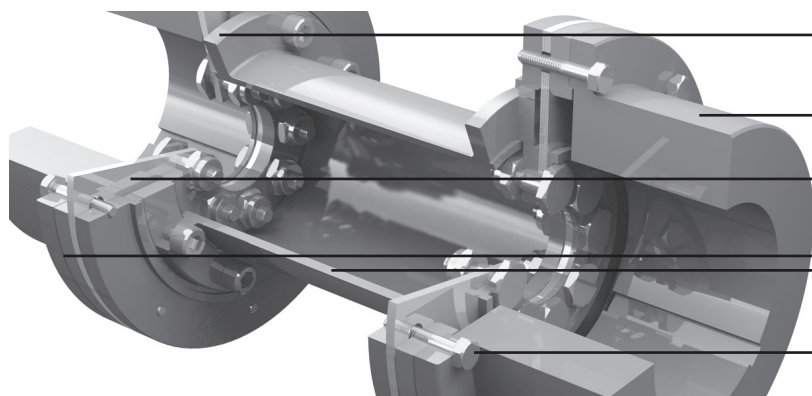
- Anti-fly feature
- Piloted spacer arrangement
- Easy to fit and replace
- Increased equipment availability
- Reduced total cost of ownership

## PRODUCT DESCRIPTION

Unscheduled maintenance and equipment failure causes increased operating costs, reduces budgets and puts people at risk. We understand your need for reliable equipment in order to maintain productivity and keep your people safe. Our couplings are designed for maximum performance, providing effective solutions for demanding applications.

# ENGINEERED COUPLING SOLUTIONS

## FOR POWER TRANSMISSION



- Anti-Fly Bearing
- Hubs with Standard Puller Holes
- Stainless Steel Flexible Membranes
- Cartridge Membrane Unit
- Removable Spacer
- Robust Hub Bolts

Safe operation of equipment is critical to achieving reliable and efficient results. We have incorporated important features into our couplings, such as anti-fly guard rings, to safeguard your employees and applications. John Crane couplings have earned an enviable reputation for their ability to accommodate misalignments without loss of performance. Our designs allow for easy installation, and carefully chosen materials eliminate the need for lubrication, significantly reducing maintenance costs and providing minimal downtime.

Coupling Type	Type	Prime Markets	Max Torque kNm	Max Shaft mm	API 610 Compliant	API 671 Compliant	Disconnects Drive Upon Failure
A Series	Elastomeric	General Industrial	21	213			X
C Series	Rigid	Vertical Pumps	150	265	X		
H Series	Metal Disc	Critical Turbomachinery	600	395	X	X	
L Series	Metal Disc	Critical General Industrial	240	350			
M Series	Metal Diaphragm	Oil and Gas (pumps)	95	300	X	Optional	X
T Series	Metal Disc	Oil and Gas (pumps)	470	580	X	Optional	

Together, we will work with you to keep your mission-critical operations up and running, with support and guidance from our experienced team.



**North America**  
United States of America  
Tel: 1-847-967-2400  
Fax: 1-847-967-3915

**Europe**  
United Kingdom  
Tel: 44-1753-224000  
Fax: 44-1753-224224

**Latin America**  
Brazil  
Tel: 55-11-3371-2500  
Fax: 55-11-3371-2599

**Middle East & Africa**  
United Arab Emirates  
Tel: 971-481-27800  
Fax: 971-488-62830

**Asia Pacific**  
Singapore  
Tel: 65-6518-1800  
Fax: 65-6518-1803

If the products featured will be used in a potentially dangerous and/or hazardous process, your John Crane representative should be consulted prior to their selection and use. In the interest of continuous development, John Crane Companies reserve the right to alter designs and specifications without prior notice. It is dangerous to smoke while handling products made from PTFE. Old and new PTFE products must not be incinerated. ISO 9001 and ISO 14001 Certified, details available on request.